



TE ENERGY (F) Oy

Sahaajankatu 20A, Helsinki, 00880, Finland
 fax: +358-(0)9-221-5120 phone: +358-(0)40-541-5222
 Web: www.teenergy.fi E-mail info@teenergy.fi



Specification

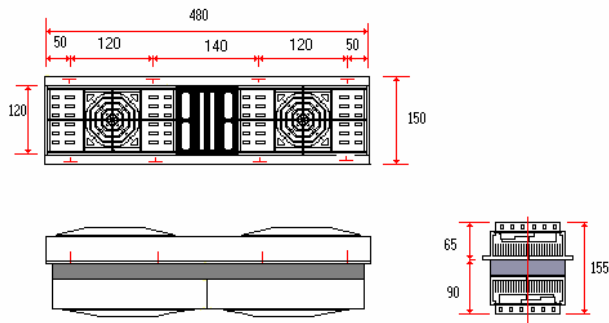
Type of thermoelectric cooling assembly				180-12-AA		
Purpose		Thermoelectric assembly 180-12-AA is a solid state unit meant for cooling or temperature stabilization purposes for general application.				
Technical parameters						
Maximal cooling capacity (Watts)	Operational cooling capacity (Watts)	Operating voltage (Volts, DC)	Operating current (Amps)	Dimensions		
				Length (mm)	Width (mm)	Height (mm)
151,0	110,0	12,0	24,0	480,0	150,0	155,0

Maximal cooling capacity corresponds for zero difference between temperature of cold and hot heat sinks

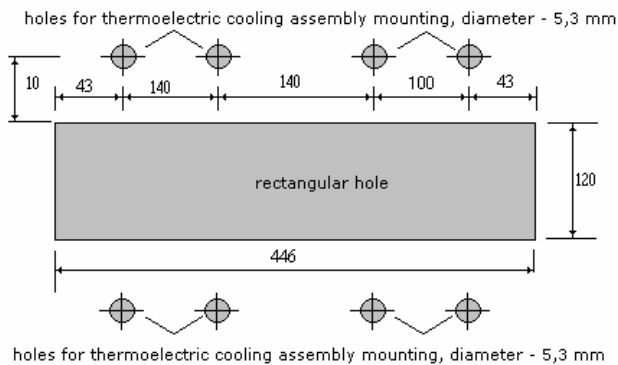
Operational cooling capacity corresponds for zero difference between temperature of cold heat sink and ambient temperature for ambient 21 deg.C

Working temperature range (°C)		- 10 ÷ +70		Fans		
Dimension tolerance		± 0,5 mm		Quantity	Hot side	Cold side
Thermal and electrical parameters tolerance		± 10%			1	1
Net weight, kg	5,7	Fan operating voltage/current			12/0,3	12/0,3

Drawing and Mounting cut-out



Note: the placement of the fixing holes can be changed without prior notice



Performance graph

