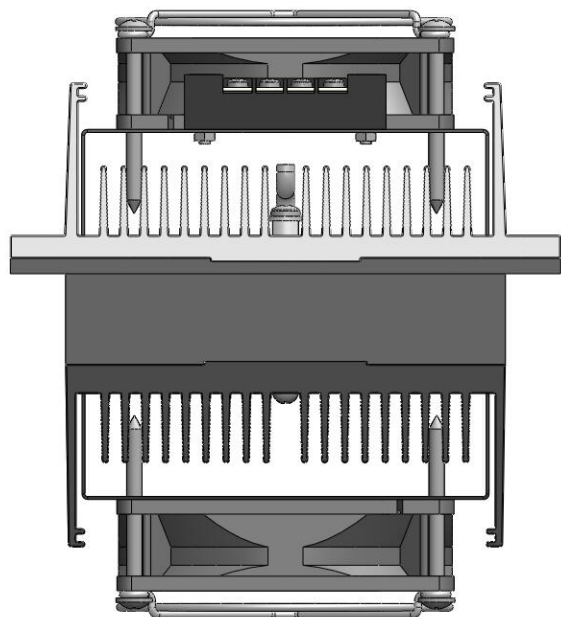
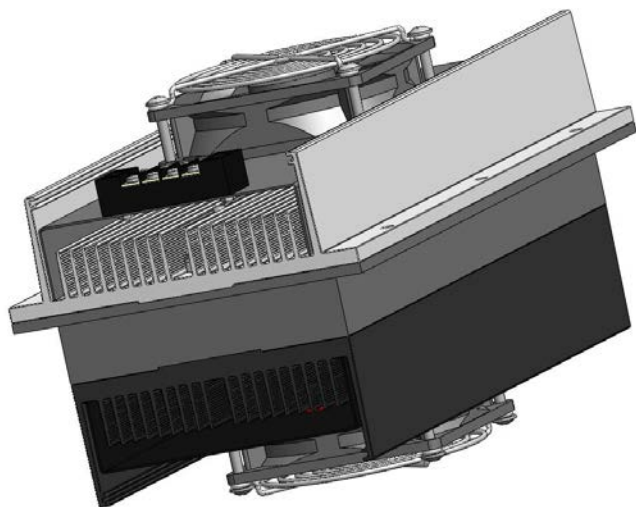
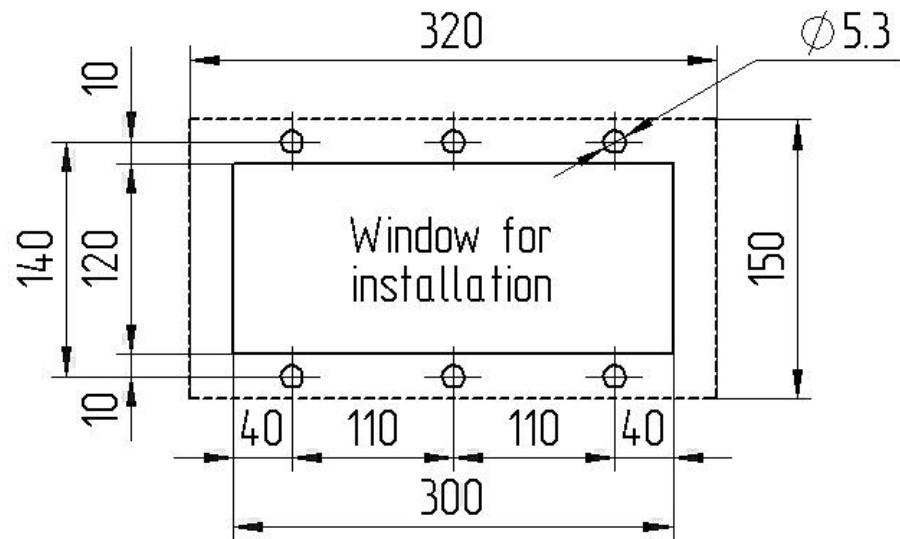
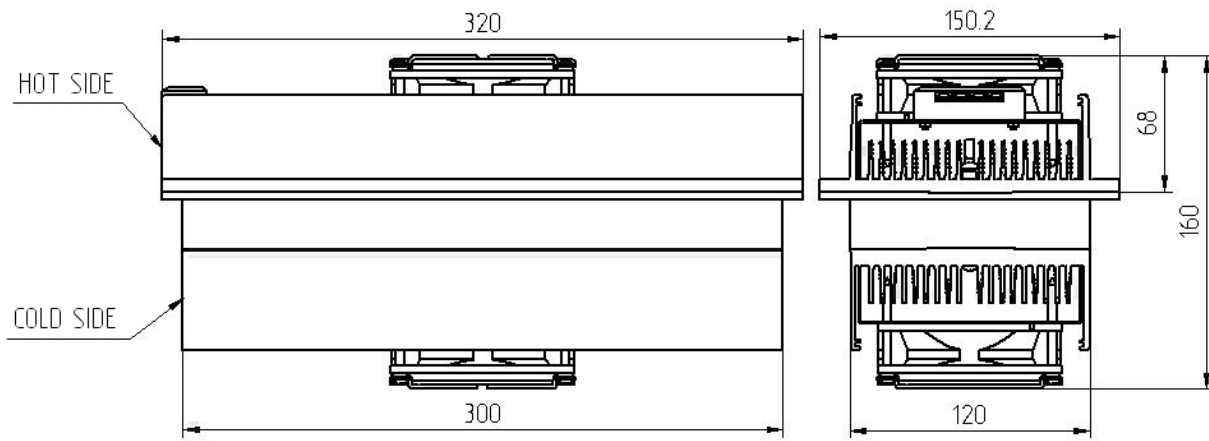


**SPECIFICATION OF THERMOELECTRIC COOLING ASSEMBLY 120-24-AA**



| <i>Thermoelectric parameters</i>    | <i>Unit</i>  | <i>Value</i> |
|-------------------------------------|--------------|--------------|
| <b>Operating voltage (U)</b>        | <b>Volts</b> | <b>24</b>    |
| <b>Operating current (I)</b>        | <b>Amps</b>  | <b>5.3</b>   |
| <b>Electric power (P)</b>           | <b>Watts</b> | <b>127</b>   |
| <b>Operating cooling power (Qc)</b> | <b>Watts</b> | <b>60</b>    |
| <b>Max. cooling power</b>           | <b>Watts</b> | <b>90</b>    |
| <b>Tolerance</b>                    | <b>%</b>     | <b>±10</b>   |

| <i>Operation parameters</i>      | <i>Unit</i> | <i>Value</i>     |
|----------------------------------|-------------|------------------|
| <b>Working temperature range</b> | <b>°C</b>   | <b>-30 ÷ +70</b> |
| <b>Noise level</b>               | <b>dBA</b>  | <b>36</b>        |
| <b>Net weight</b>                | <b>kg</b>   | <b>3.7</b>       |



$Q_c$ , Watts

